

Illustration - Type - E

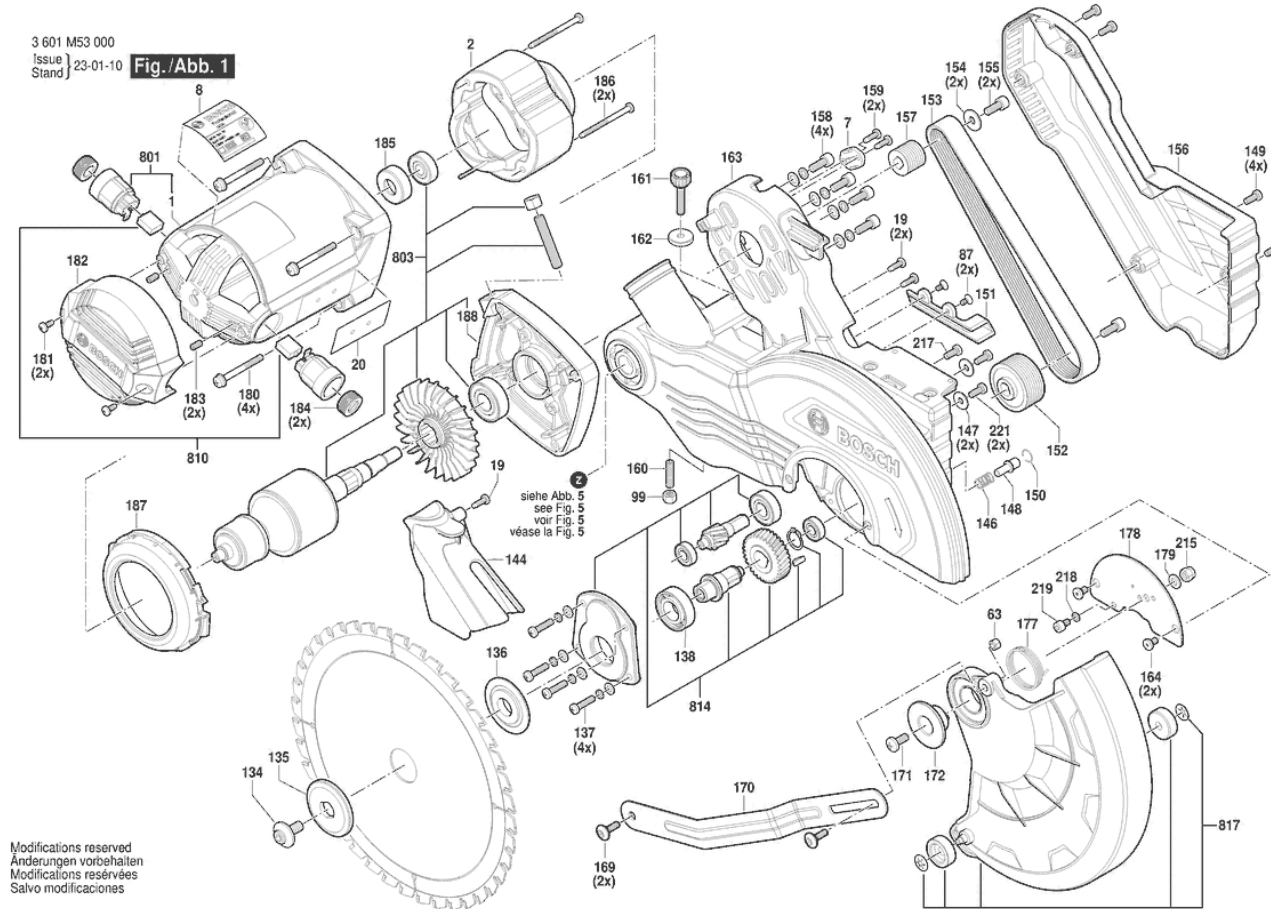
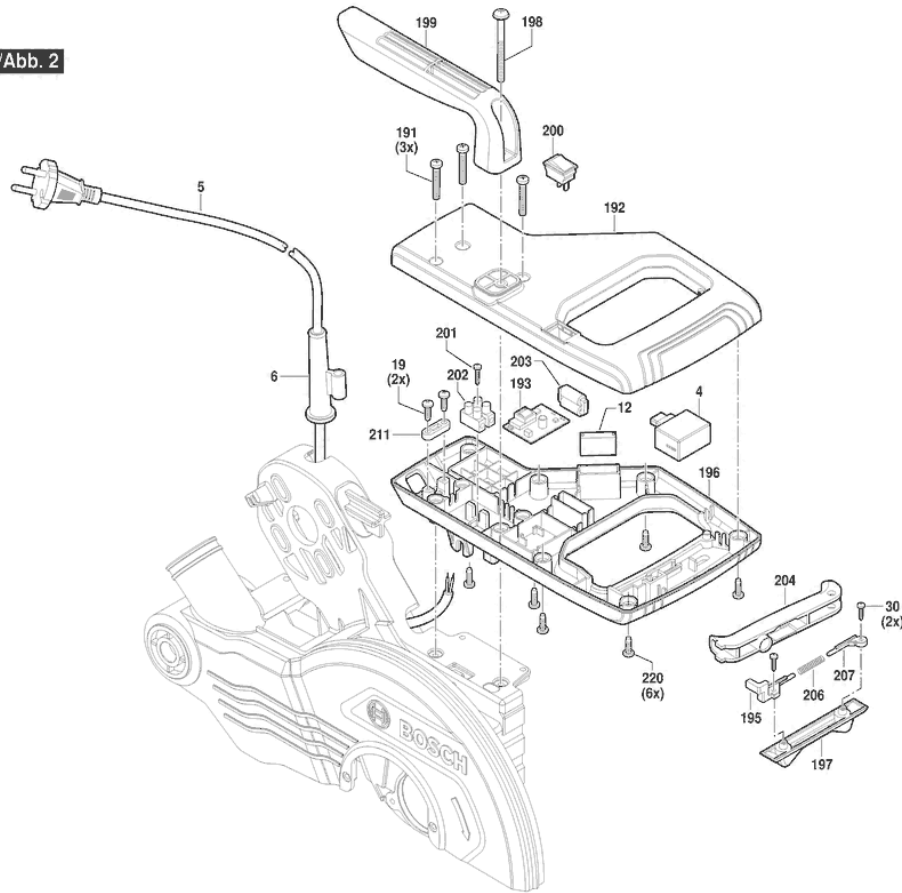


Illustration - Type - E

3 601 M53 000
Issue |
Stand | 23-01-10 **Fig./Abb. 2**



Modifications reserved
Änderungen vorbehalten
Modifications réservées
Salvo modificaciones

Illustration - Type - E

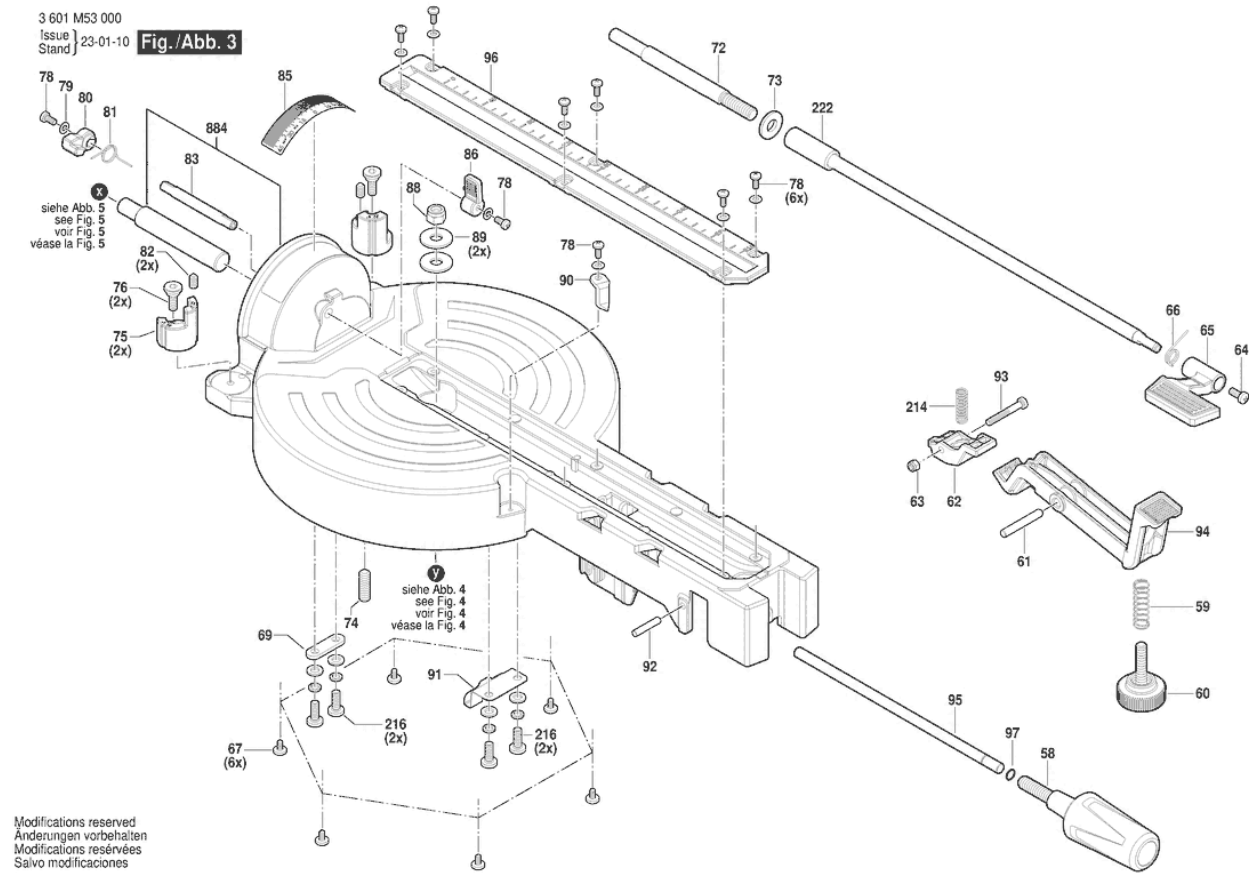


Illustration - Type - E

3 601 M53 000
 Issue | 23-01-10
 Stand | **Fig./Abb. 4**

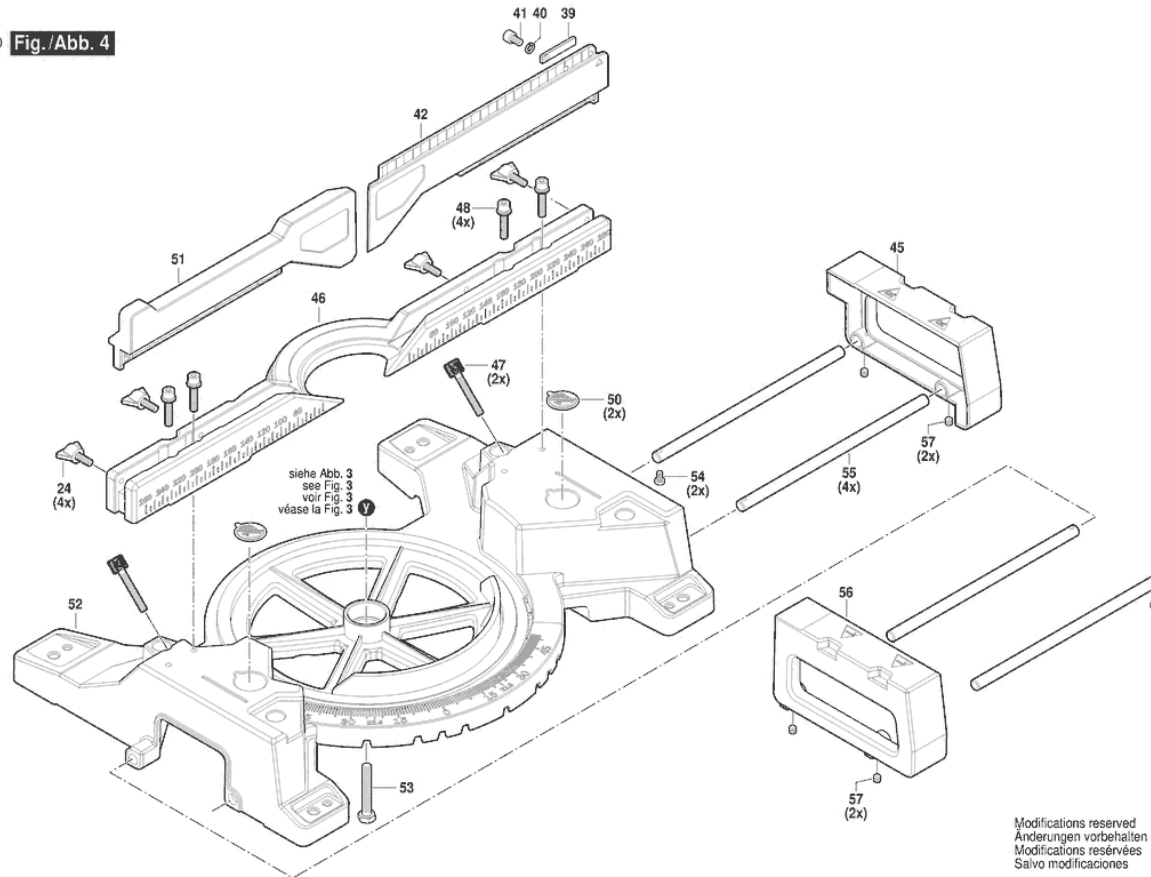


Illustration - Type - E

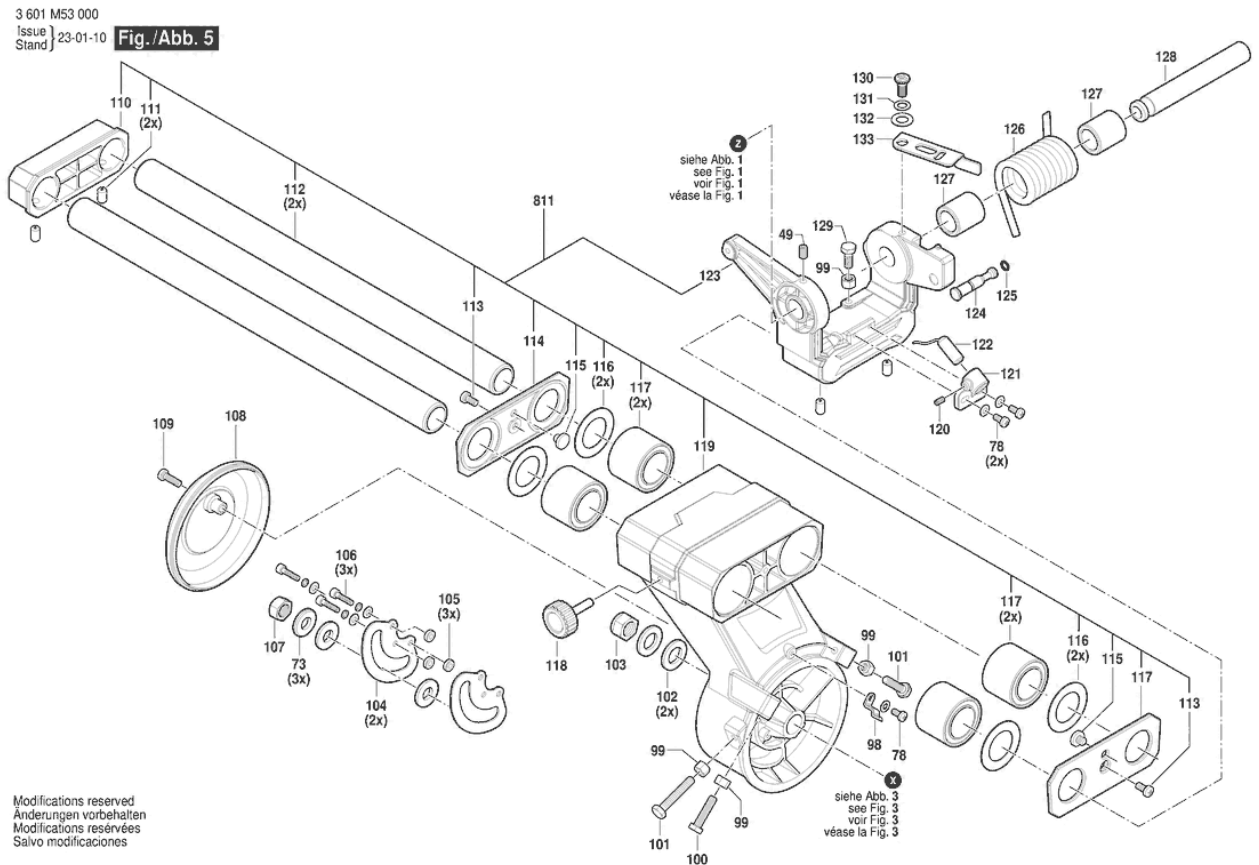
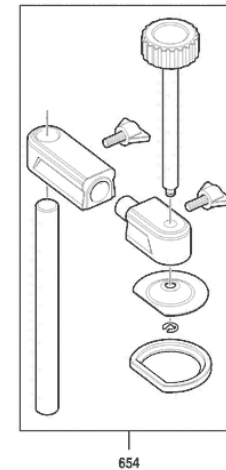
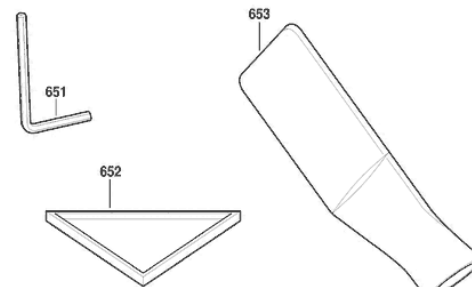
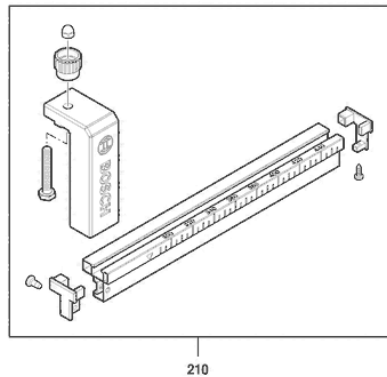
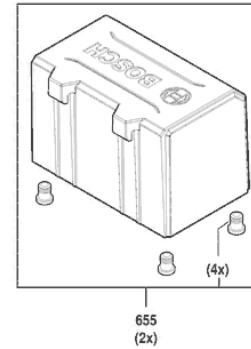
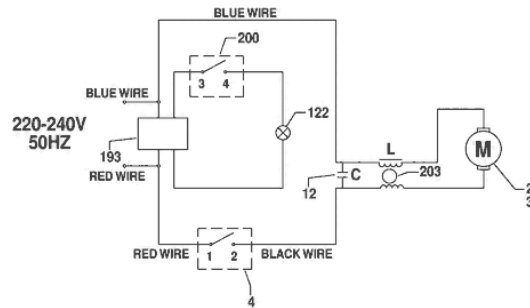


Illustration - Type - E

3 601 M53 000
Issue | 23-01-10
Stand | Fig./Abb. 6

Modifications reserved
Änderungen vorbehalten
Modifications réservées
Salvo modificaciones

Anzugsmomente
Torque values
Couple de serrage
Pares de apriete
Pos. x = x,x - x,x Nm
Pos. x = x,x - x,x Nm
Pos. x = x,x - x,x Nm
Pos. x = x,x - x,x Nm
Pos. x = x,x - x,x Nm
Pos. x = x,x - x,x Nm
Pos. x = x,x - x,x Nm
Pos. x = x,x - x,x Nm
Pos. x = x,x - x,x Nm
Pos. x = x,x - x,x Nm
Pos. x = x,x - x,x Nm
Pos. x = x,x - x,x Nm
Pos. x = x,x - x,x Nm
Pos. x = x,x - x,x Nm
Pos. x = x,x - x,x Nm
Pos. x = x,x - x,x Nm
Pos. x = x,x - x,x Nm
Pos. x = x,x - x,x Nm



Spare parts list

| Item | Part Number | Description | Illustration |
|------|---------------|------------------------|--------------|
| 2 | 1 619 PC0 688 | Field 220-240V | 1 |
| 7 | 1 619 PB9 038 | Cable Clip | 1 |
| 8 | 1 619 PC0 701 | Nameplate | 1 |
| 19 | 1 619 PB6 120 | Pan head screw | 1 |
| 63 | 1 619 PB6 149 | Hex Nut Q235A | 1 |
| 87 | 1 619 PB6 186 | Countersunk-Head Screw | 1 |
| 99 | 1 619 PB6 210 | Nut | 1 |
| 134 | 1 619 PB6 215 | Bolt | 1 |
| 135 | 1 619 PB9 140 | Clamping Flange | 1 |
| 136 | 1 619 PC0 677 | Clamping Flange | 1 |
| 137 | 1 619 PC0 783 | Screw | 1 |
| 138 | 1 619 PB6 221 | Ball Bearing | 1 |
| 144 | 1 619 PC0 786 | collector 40CR | 1 |
| 146 | 1 619 PC0 787 | Button Spring ABS | 1 |
| 147 | 1 619 PC0 788 | Washer 65MN | 1 |
| 148 | 1 619 PC0 789 | Push Button F5.5XF15X1 | 1 |
| 149 | 1 619 PC0 790 | Screw Q235A | 1 |
| 150 | 1 619 PC0 791 | Retaining ring Q235A | 1 |
| 151 | 1 619 PC0 792 | Plate F10 | 1 |
| 152 | 1 619 PC0 793 | Pulley | 1 |
| 153 | 1 619 PC0 794 | Belt | 1 |
| 154 | 1 619 PC0 795 | Washer | 1 |
| 155 | 1 619 PC0 796 | Screw | 1 |
| 156 | 1 619 PC0 797 | Cover M6x20 | 1 |
| 157 | 1 619 PC0 798 | Pulley M4x16 | 1 |
| 158 | 1 619 PC0 799 | Screw | 1 |
| 159 | 1 619 PC0 800 | Screw | 1 |
| 160 | 1 619 PB6 175 | Set screw | 1 |
| 161 | 1 619 PC0 801 | Knob | 1 |
| 162 | 1 619 PC0 802 | Nut PP-GF25+Q235A | 1 |
| 163 | 1 619 PC0 803 | Upper guard M6 | 1 |
| 164 | 1 619 PC0 804 | Screw YL102 | 1 |
| 169 | 1 619 PB6 204 | Shoulder Screw | 1 |
| 170 | 1 619 PC0 807 | Connecting Plate YL102 | 1 |
| 171 | 1 619 PC0 808 | Screw | 1 |

Spare parts list

| Item | Part Number | Description | Illustration |
|------|---------------|----------------------------|--------------|
| 172 | 1 619 PC0 809 | Plate M6×14 | 1 |
| 177 | 1 619 PC0 811 | Coil Spring | 1 |
| 178 | 1 619 PC0 812 | Plate | 1 |
| 179 | 1 619 PC0 813 | Washer | 1 |
| 180 | 1 619 PB6 202 | Pan head screw | 1 |
| 181 | 1 619 PB9 153 | Screw | 1 |
| 182 | 1 619 PC0 814 | Housing Cover F6×12×0.8 | 1 |
| 183 | 1 619 PC0 815 | Screw | 1 |
| 184 | 1 619 PB9 126 | Cover | 1 |
| 185 | 1 619 PC0 816 | Rubber Bushing M5×10 | 1 |
| 186 | 1 619 PC0 817 | Screw | 1 |
| 187 | 1 619 PC0 818 | Deflector ST4.8×55 | 1 |
| 188 | 1 619 PC0 819 | Cover PA6-GF30 | 1 |
| 215 | 1 619 PC0 828 | Nut | 1 |
| 217 | 1 619 PC0 830 | Screw M6×16 | 1 |
| 218 | 1 619 PC0 831 | Screw M5×10 | 1 |
| 219 | 1 619 PC0 832 | Washer M5×8 | 1 |
| 221 | 1 619 PC0 833 | Screw 5×1.6 | 1 |
| 801 | 1 619 PC1 024 | Housing Assembly | 1 |
| 803 | 1 619 PC1 025 | Armature assembly 220-240V | 1 |
| 810 | 1 619 PC1 027 | Carbon-Brush Set | 1 |
| 814 | 1 619 PC1 029 | Bearing Flange | 1 |
| 817 | 1 619 PC1 028 | Lower guard | 1 |
| 4 | 1 619 PC0 675 | Switch | 2 |
| 5 | 1 619 PC0 691 | Power supply cord | 2 |
| 6 | 1 619 PB6 112 | Grommet | 2 |
| 12 | 1 619 PB9 041 | Capacitor | 2 |
| 30 | 1 619 PC0 569 | Screw | 2 |
| 191 | 1 619 PB6 235 | Pan head screw | 2 |
| 192 | 1 619 PC0 822 | Tool Handle | 2 |
| 193 | 1 619 PB6 229 | Electronic Module | 2 |
| 195 | 1 619 PB6 231 | Linkage | 2 |
| 196 | 1 619 PC0 823 | Tool Handle PP-GF25 | 2 |
| 197 | 1 619 PB6 228 | Interlock | 2 |
| 198 | 1 619 PC0 824 | Screw PP-GF25 | 2 |

Spare parts list

| Item | Part Number | Description | Illustration |
|------|---------------|-----------------------------|--------------|
| 199 | 1 619 PC0 825 | Carrying Handle M5×60 | 2 |
| 200 | 1 619 PB6 239 | Switch | 2 |
| 201 | 1 619 PB6 233 | Pan head screw | 2 |
| 202 | 1 619 PB6 232 | Terminal Block | 2 |
| 203 | 1 619 PB6 230 | Inductor | 2 |
| 204 | 1 619 PC0 826 | Switch Button PA6-GF30 | 2 |
| 206 | 1 619 PB6 244 | Spring | 2 |
| 207 | 1 619 PB6 243 | Linkage | 2 |
| 211 | 1 619 PB6 113 | Fastening Clamp | 2 |
| 220 | 1 619 PB9 035 | Pan head screw | 2 |
| 58 | 1 619 PB9 084 | Rotary Handle | 3 |
| 59 | 1 619 PC0 724 | Spring 65MN | 3 |
| 60 | 1 619 PC0 725 | Rotary Handle PP-GF25+Q235A | 3 |
| 61 | 1 619 PC0 726 | Connection Pin 6×40 | 3 |
| 62 | 1 619 PC0 727 | Adjustment Knob PA6-GF30 | 3 |
| 64 | 1 619 PC0 728 | Screw Q235A, M5×12 | 3 |
| 65 | 1 619 PC0 729 | Knob YL102 | 3 |
| 66 | 1 619 PC0 730 | Coil Spring 65MN | 3 |
| 67 | 1 619 PC0 731 | Rubber Pad POM | 3 |
| 69 | 1 619 PC0 732 | Clamp Bracket Q235A | 3 |
| 72 | 1 619 PC0 733 | Shaft Q235A | 3 |
| 73 | 1 619 PC0 734 | Washer Q235A | 3 |
| 74 | 1 619 PB6 155 | Set screw | 3 |
| 75 | 1 619 PC0 735 | Stop Block FZ1360 | 3 |
| 76 | 1 619 PC0 736 | Screw Q235A | 3 |
| 79 | 1 619 PC0 738 | Plain Washer F4×12×1 | 3 |
| 80 | 1 619 PC0 739 | Knob FZ1360 | 3 |
| 81 | 1 619 PC0 740 | Coil Spring 65MN | 3 |
| 82 | 1 619 PC0 741 | Screw M6×10 | 3 |
| 83 | 1 619 PC0 742 | Shaft | 3 |
| 85 | 1 619 PC0 744 | Label | 3 |
| 86 | 1 619 PC0 745 | Knob YL102 | 3 |
| 88 | 1 619 PB6 178 | Hex Nut Q235A | 3 |
| 89 | 1 619 PC0 746 | Washer | 3 |
| 90 | 1 619 PC0 747 | Indicator | 3 |

Spare parts list

| Item | Part Number | Description | Illustration |
|------|---------------|-------------------------------------|--------------|
| 91 | 1 619 PC0 748 | Washer | 3 |
| 92 | 1 619 PC0 749 | Shaft | 3 |
| 93 | 1 619 PC0 750 | Screw | 3 |
| 94 | 1 619 PC0 751 | Connection plate PA6-GF30 | 3 |
| 95 | 1 619 PC0 752 | Bar Q235A | 3 |
| 96 | 1 619 PC0 753 | Cover Plate ABS | 3 |
| 97 | 1 619 PC0 754 | O-Ring F6.3×1.8 | 3 |
| 214 | 1 619 PB6 151 | Spring | 3 |
| 216 | 1 619 PC0 829 | Screw M6 | 3 |
| 222 | 1 619 PC0 834 | Bar M5×12 | 3 |
| 884 | 1 619 PC1 031 | Table Mitre Saw | 3 |
| 24 | 1 619 PC0 710 | Butterfly knob | 4 |
| 39 | 1 619 PB6 136 | Pad | 4 |
| 40 | 1 619 PB6 138 | Spring Washer 65MN | 4 |
| 41 | 1 619 PB6 137 | Socket head cap screw PP-GF25+Q235A | 4 |
| 42 | 1 619 PC0 714 | Mitre Fence YL102 | 4 |
| 45 | 1 619 PC0 715 | Extension Stand YL102 | 4 |
| 46 | 1 619 PC0 716 | Mitre Fence YL102 | 4 |
| 47 | 1 619 PB6 142 | Knob | 4 |
| 48 | 1 619 PC0 717 | Screw M6×30 | 4 |
| 50 | 1 619 PB9 053 | Label | 4 |
| 51 | 1 619 PC0 718 | Mitre Fence YL102 | 4 |
| 52 | 1 619 PC0 719 | Base YL102 | 4 |
| 53 | 1 619 PC0 720 | Bolt M8×50 | 4 |
| 54 | 1 619 PB6 130 | Pan head screw | 4 |
| 55 | 1 619 PC0 721 | Bar Q235A | 4 |
| 56 | 1 619 PC0 722 | Extension Stand YL102 | 4 |
| 57 | 1 619 PC0 723 | Screw M6×6 | 4 |
| 49 | 1 619 PB6 171 | Set screw | 5 |
| 98 | 1 619 PC0 755 | Indicator | 5 |
| 100 | 1 619 PC0 756 | Bolt M6×25 | 5 |
| 101 | 1 619 PC0 757 | Bolt M6×30 | 5 |
| 102 | 1 619 PB6 166 | Plain Washer | 5 |
| 103 | 1 619 PB6 167 | Nut | 5 |

Spare parts list

| Item | Part Number | Description | Illustration |
|------|---------------|---------------------------------|--------------|
| 104 | 1 619 PC0 758 | Plate 65MN | 5 |
| 105 | 1 619 PC0 759 | Washer FZ1360 | 5 |
| 106 | 1 619 PC0 760 | Screw M4×16 | 5 |
| 107 | 1 619 PC0 761 | Bolt M4×16 | 5 |
| 108 | 1 619 PC0 762 | Cover M10 | 5 |
| 109 | 1 619 PC0 763 | Screw ABS | 5 |
| 110 | 1 619 PC0 764 | Cover M5×16 | 5 |
| 111 | 1 619 PC0 765 | Shaft YL102 | 5 |
| 112 | 1 619 PC0 766 | Bar ?6×12,65MN | 5 |
| 113 | 1 619 PC0 767 | Screw | 5 |
| 114 | 1 619 PC0 768 | Cover M5×10 | 5 |
| 115 | 1 619 PC0 769 | Pad ABS | 5 |
| 116 | 1 619 PC0 770 | Felt Pad SOFT PVC | 5 |
| 117 | 1 619 PC0 771 | Linear Roller Bearing F25×F40×1 | 5 |
| 118 | 1 619 PC0 772 | Knob F25×F40×30 | 5 |
| 119 | 1 619 PC0 773 | Arm PP-GF25+Q235A | 5 |
| 120 | 1 619 PB6 192 | Set screw | 5 |
| 121 | 1 619 PC0 774 | Holder YL102 | 5 |
| 122 | 1 619 PB9 077 | Laser | 5 |
| 123 | 1 619 PC0 775 | Bracket | 5 |
| 124 | 1 619 PB6 173 | Detent Pin Q235A | 5 |
| 125 | 1 619 PB6 174 | O-Ring ABS | 5 |
| 126 | 1 619 PC0 776 | Torsion Spring YL102 | 5 |
| 127 | 1 619 PB6 162 | Bushing Q235A | 5 |
| 128 | 1 619 PC0 777 | Connection Pin 55CRSI | 5 |
| 129 | 1 619 PC0 778 | Screw Q235A | 5 |
| 130 | 1 619 PC0 779 | Screw M6×16 | 5 |
| 131 | 1 619 PB6 177 | Spring Washer | 5 |
| 132 | 1 619 PC0 780 | Washer | 5 |
| 133 | 1 619 PC0 781 | Plate F7×F12×0.8 | 5 |
| 811 | 1 619 PC1 030 | Sliding rail set | 5 |
| 210 | 1 619 PC0 827 | Stopper | 6 |
| 651 | 1 619 PB9 159 | Clamping wrench | 6 |
| 652 | 1 619 PB9 141 | measuring ruler | 6 |
| 653 | 1 619 PB6 246 | Dust Bag | 6 |

Spare parts list

| Item | Part Number | Description | Illustration |
|-------------|--------------------|--------------------|---------------------|
| 654 | 1 619 PB9 102 | Mounting Clamp | 6 |
| 655 | 1 619 PB9 050 | Supporting Block | 6 |